

IC-DFR 3

Order No.: 1852037



<http://eshop.phoenixcontact.de/phoenix/treeViewClick.do?UID=1852037>

Feed-through assembly frame, for snapping in the IC 2.5/...-
STGF-5.08 inverted COMBICON plug, for panel thicknesses from 0.5
to 4.5 mm, color green, no. of positions: 3

Commercial data	
EAN	4017918108915
Pack	50 Pcs.
Customs tariff	39269097
Weight/Piece	0.001599 KG
Catalog page information	Page 250 (CC-2007)

Product notes

WEEE/RoHS-compliant since:
01/01/2003



[http://
www.download.phoenixcontact.com](http://www.download.phoenixcontact.com)
Please note that the data given
here has been taken from the
online catalog. For comprehensive
information and data, please refer
to the user documentation. The
General Terms and Conditions of
Use apply to Internet downloads.

Technical data

Dimensions / positions

Pitch	5.08 mm
Dimension a	10.16 mm
Number of positions	3

Technical data

Insulating material group	I
Insulating material	PA
Inflammability class acc. to UL 94	V0

Accessories

Item	Designation	Description
0708263	DFK-MSTB-SS	Screw set, for securing the header to the housing wall, consists of M 3 x 10 screw, spring washer and nut, 10 pieces each

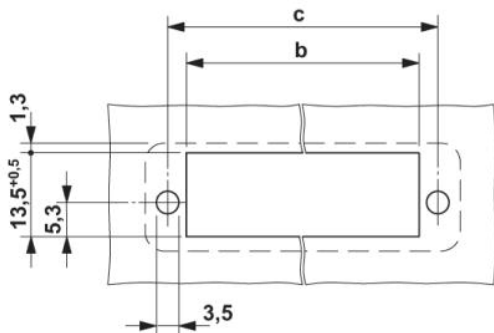
Assembly

Item	Designation	Description
1825501	IC 2,5/ 2-STGF-5,08	Plug component, nominal current: 12 A, rated voltage: 250 V, pitch: 5.08 mm, no. of positions: 2, type of connection: Screw connection

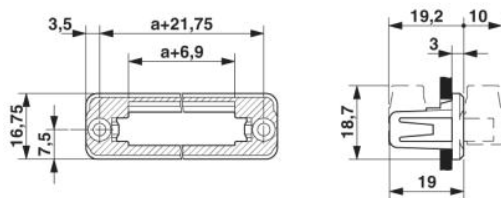
General

Drawings

Drilling diagram



Dimensioned drawing



Address

PHOENIX CONTACT GmbH & Co. KG
Flachsmarktstr. 8
32825 Blomberg, Germany
Phone +49 5235 3 00
Fax +49 5235 3 41200
<http://www.phoenixcontact.de>



© 2008 Phoenix Contact
Technical modifications reserved;